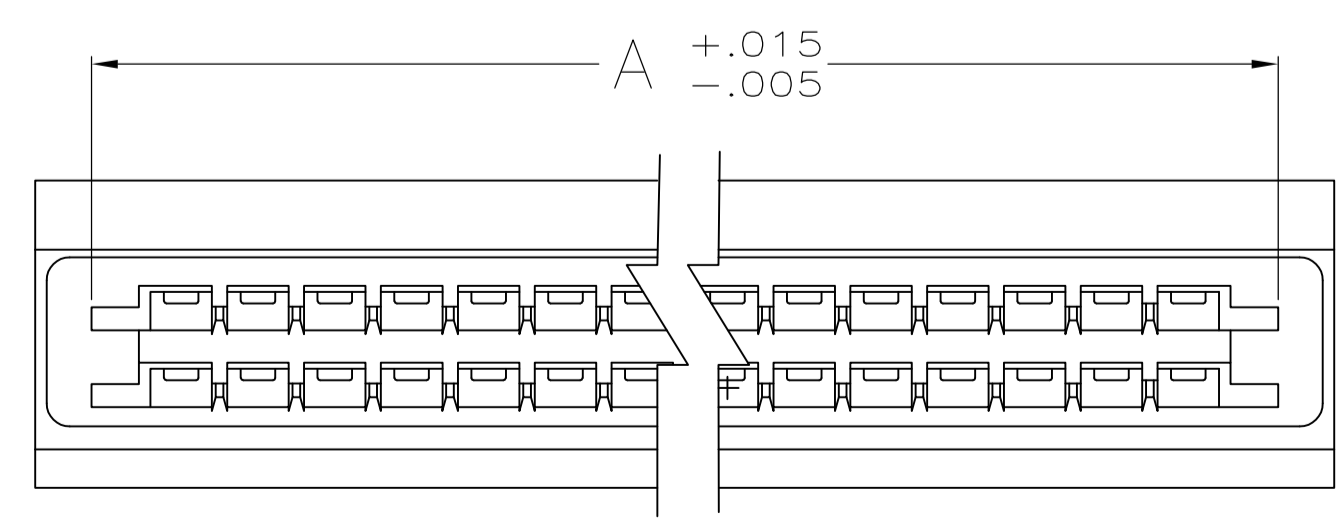
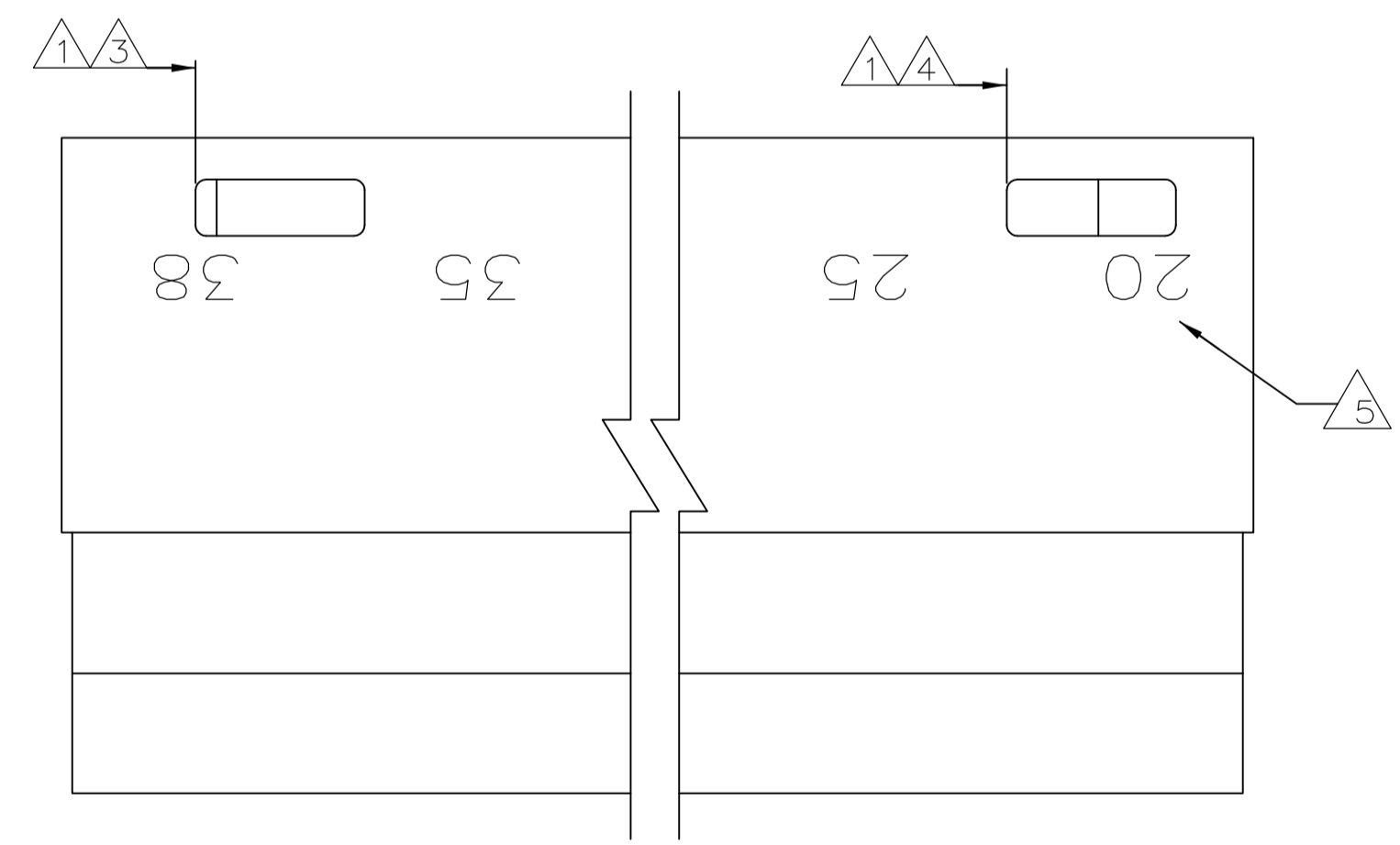
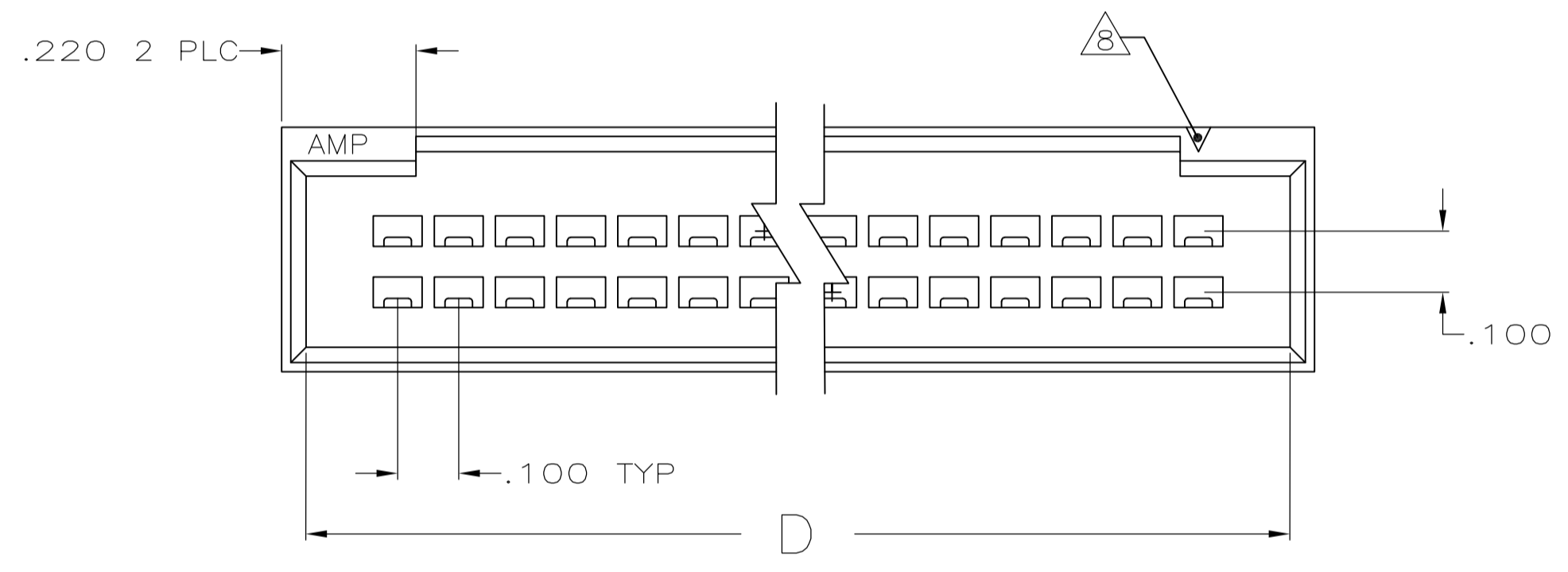


CRIMPED CONTACT SHOWN FOR REF ONLY



- 1 DETENT SLOTS 6,10,12,16 & 18 POSN ONE SLOT LOCATED AS FOLLOWS:  
6 POSN CENTERLINE OF FIRST CIRCUIT FROM LEFT  
10 AND 12 POSN CENTERLINE ON SECOND CIRCUIT FROM LEFT  
16 POSN CENTERLINE OF THIRD CIRCUIT FROM LEFT  
18 POSN CENTERLINE OF FOURTH CIRCUIT FROM LEFT  
20 POSN AND GREATER TWO DETENT SLOTS LOCATED AS SHOWN
- 2 PART NO. AND DATE CODE INK STAMPED, WHITE.
- 3 CENTERLINE OF FIRST CAVITY FROM LEFT
- 4 CENTERLINE OF THIRD CAVITY FROM RIGHT
- 5 CAVITY IDENTS INK STAMPED (WHITE), IN AREA SHOWN (SEE TABLE)
- 6 HOUSING WILL ACCOMMODATE FLEXIBLE FLAT CABLE .050 OR .062 WIDE CONDUCTORS ON .100 CENTERS (CABLE=.015 MAX THK) AND #22-#24 AWG WIRE WITH INSULATION RANGE OF .061 TO .069 DIA
- 7 THIS HOUSING IS DESIGNED TO MATE WITH FFC RECEPTACLE HOUSING AND AMP LATCH RECEPTACLE HOUSING
- 8 INDICATES POSITION 1, MAY BE RECESSED OR RAISED.
- 9 OBSOLETE PART NUMBER
- 10 SUPERSEDED BY AS MOLDED PART NUMBER.
- 11 GLASS-FILLED NYLON, BLACK, UL V-0.
- 12 OBSOLETE PARTS: OBSOLETE CIS STREAMLINING PER D.RENAUD/D.SINISI

3-88189-7	2,6	8,10,14	.900	.980	.950	.834	14	3-88189-8
3-88189-5	2,5,10,16	18,25,30,34	1.900	1.980	1.950	1.834	34	3-88189-6
3-88189-3	2,5	7,10,12	.800	.880	.850	.734	12	3-88189-4
3-88189-1	2	4,6	.500	.580	.550	.434	6	3-88189-2
2-88189-9	2,4	6,10	.700	.780	.750	.634	10	3-88189-0
2-88189-7	2,5,10,15,20,25,30,34	36,40,45,50,55,60,65,70	3.700	3.780	3.750	3.634	70	2-88189-8
2-88189-5	2,5,10,15,20,25,32	34,40,45,50,55,60,66	3.500	3.580	3.550	3.434	66	2-88189-6
2-88189-3	2,5,10,15,20,25,29	31,35,40,45,50,55,60	3.200	3.280	3.250	3.134	60	2-88189-4
2-88189-1	2,5,10,15,20,25,28	30,35,40,45,50,55,58	3.100	3.180	3.150	3.034	58	2-88189-2
1-88189-9	2,5,10,15,20,24	26,30,35,40,45,50	2.700	2.780	2.750	2.634	50	2-88189-0
1-88189-7	2,5,10,15,21	23,25,30,35,40,44	2.400	2.480	2.450	2.334	44	1-88189-8
1-88189-5	2,5,10,15,19	21,25,30,35,40	2.200	2.280	2.250	2.134	40	1-88189-6
1-88189-3	2,5,10,17	19,25,30,36	2.000	2.080	2.050	1.934	36	1-88189-4
1-88189-1	2,5,10,13	15,20,25,28	1.600	1.680	1.650	1.534	28	1-88189-2
88189-9	2,5,12	14,20,26	1.500	1.580	1.550	1.434	26	1-88189-0
88189-7	2,5,11	13,20,24	1.400	1.480	1.450	1.334	24	88189-8
88189-5	2,5,9	11,15,20	1.200	1.280	1.250	1.134	20	88189-6
88189-3	2,5,8	10,15,18	1.100	1.180	1.150	1.034	18	88189-4
88189-1	2,5,10,15,18	20,25,30,35,38	2.100	2.180	2.150	2.034	38	88189-2

INK STAMPED PART NO.	NEAR SIDE	FAR SIDE	D	C	B	A	NO OF POSN	AS MOLDED PART NO.
2 5	CAVITY POSN. NO. STAMPED 5							

THIS DRAWING IS A CONTROLLED DOCUMENT. DIMENSIONS: INCHES. TOLERANCES UNLESS OTHERWISE SPECIFIED: 0 PLC ± .005, 1 PLC ± .005, 2 PLC ± .005, 3 PLC ± .005, 4 PLC ± .005, ANGLES ± .005. MATERIAL: 11. FINISH: -. WEIGHT: -. SIZE: A1. CAGE CODE: 00779. DRAWING NO: 88189. RESTRICTED TO: -. CUSTOMER DRAWING. SCALE: 4:1. SHEET: 1 OF 1. REV: AE2.

**STE** TE Connectivity

HOUSING, PIN, DBL ROW, W/DETENT SLOTS, .100